

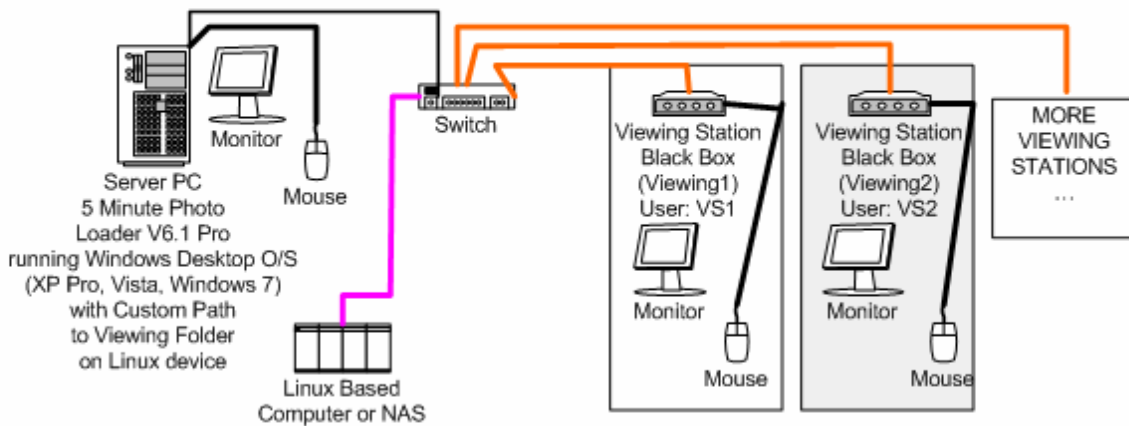
# 5 Minute Photo's LinuxInTheMiddle Solution

[www.LinuxInTheMiddle.com](http://www.LinuxInTheMiddle.com)

[www.5MinutePhoto.com](http://www.5MinutePhoto.com)



## 5 Minute Photo - LinuxInTheMiddle.com Solution for more than 10 Viewing Stations



Copyright © 2010 5MinutePhoto.com. All rights reserved. Concept and design by 5 Minute Photo

### Overall Concept of LinuxInTheMiddle using 5 Minute Photo Loader/Viewer Software.

Most NAS devices are Linux based and are a very cost effective way of using more than 10 Viewing Stations with the 5 Minute Photo Loader/Viewer Software (Version 6.1 Pro or greater).

The 5 Minute Photo database and Viewing Folder is setup on a Linux based computer/device and shared as EventView.

The Viewing Stations are configured with name of the Linux device (5MinutePhoto) as the Server name. The Viewing files and the Database are accessed from the LinuxInTheMiddle device rather than from the Server where the Loader is run. The Loader is configured to use a Custom Path ( [\\5MinutePhoto\EventView](#) ) for the Viewing folder and points to the LinuxInTheMiddle device.

This eliminates the need for a Windows Server based O/S on the Loader/Server when using more than 10 Viewing Stations (maximum connections for Windows Desktop O/S like XP Pro, Vista and Windows 7), since a LinuxInTheMiddle solution doesn't require CAL's (Client Access License) for each connection.

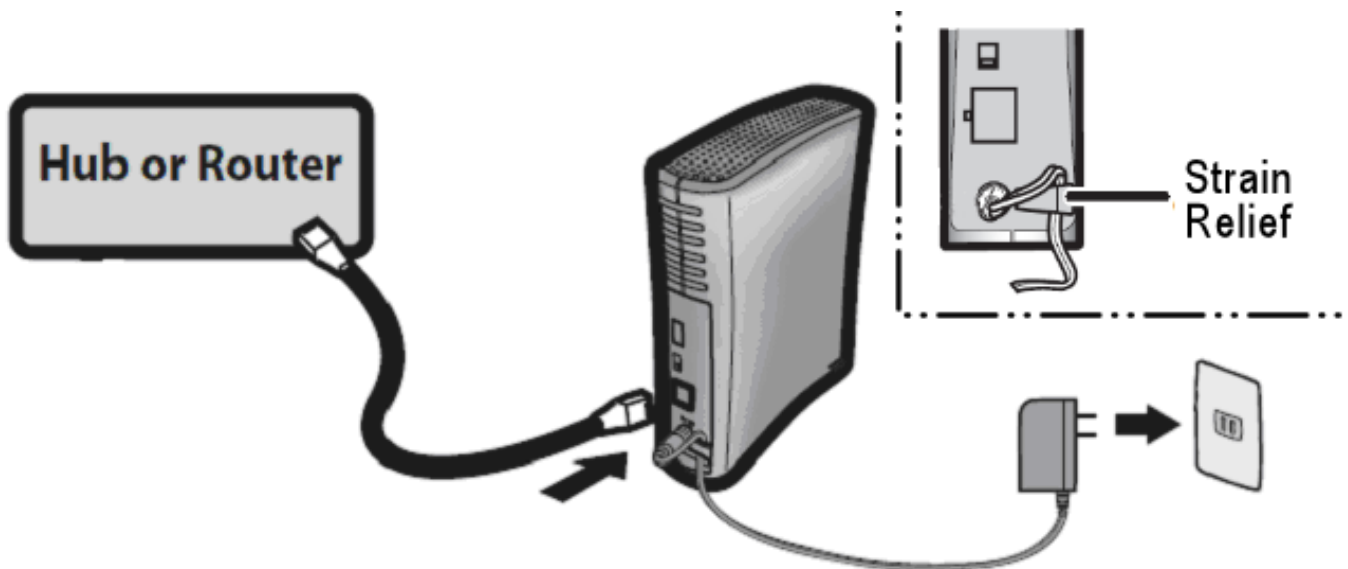
Note: Overall performance of system is dependent on the speed/power of the LinuxInTheMiddle device, the Loader/Server computer, the Viewing Stations and all of the network components.

### 5 Minute Photo's LinuxInTheMiddle Device

The LinuxInTheMiddle device is actually a very small computer and contains a hard drive, memory and operating system just like other computers (it just doesn't have a monitor or human interface to be able to see what's going on). The device does require adequate time to boot up and shutdown just like any other computer (since there is no monitor the boot up and/or shutdown processes are indicated by the blue LINK/ACT LED on the front of the device). The device can be used in either an upright vertical position or laid flat in a horizontal position (recommended to prevent getting knocked over).

## Setting up the LinuxInTheMiddle Device:

1. Attach Ethernet/Network Cable to Ethernet port on back of device and attach the other end of the Ethernet/Network cable to a hub, router or switch.
2. Insert A/C adapter plug into the back of the device and plug the AC adapter into a surge protector or AC outlet. A strain relief is provided to minimize strain on the cord and help prevent the plug from coming disconnected accidentally.
3. Set the switch on the back of the device to the ON position (the middle position).
4. The LINK/ACT LED on front of device will begin to blink as the device boots up.
5. The LINK/ACT LED should stop blinking and remain on steady once the device has completed its boot up process, connected to the network and automatically configured itself for use with the 5 Minute Photo Loader/Viewer software.



**NOTE:** All 5 Minute Photo LinuxInTheMiddle devices come preconfigured with the following settings:

Preconfigured Device Name:	<b>5MinutePhoto</b>
Preconfigured IP Address:	<b>192.168.1.251</b>
Preconfigured Workgroup Name:	<b>ONSITE</b>

**WARNING:** *The 5 Minute Photo LinuxInTheMiddle device consists of a proprietary configuration and setup that allows for quick and simple use exclusively with the 5 Minute Photo Loader/Viewer Software and/or 5 Minute Photo preconfigured systems and should not be altered or reconfigured. Attempting to reconfigure this device with alternate settings may render this device unusable with the 5 Minute Photo Loader/Viewer software system. If the device is reconfigured and becomes unusable, the device will need to be returned to 5 Minute Photo to be reinitialized and reconfigured. (No charge for first reconfiguration but successive reconfigurations may incur service charges/fees, depending on circumstances.)*

Your network settings (IP Addresses, Workgroup Name should be set accordingly). i.e. All computers (Loader/Server and Viewing Stations) on the network should use the same Workgroup name **ONSITE** when using a 5 Minute Photo preconfigured system or a LinuxInTheMiddle device. All IP Addresses should be set as static using the following guidelines:

192.168.1.100 as the IP Address for the Loader/Server.

192.168.1.### - where ### is the next sequential/available IP Address starting at 101 for the first Viewing Station, 102 for the second Viewing Station, etc.

NOTE: Each device on a network MUST have a unique IP Address. On a 5 Minute Photo preconfigured system the Loader/Server will be preset to 192.168.1.100 and the Viewing Stations will be set as follows (refer to the pre-attached stickers on any Loader/Server or Viewing Station or device preconfigured by 5 Minute Photo:

[Name of Computer] = [Unique IP Address]

Viewing1 = 192.168.1.101

Viewing2 = 192.168.1.102

Viewing3 = 192.168.1.103....etc.

The “Subnet Mask” should ALWAYS be 255.255.255.0 on all network devices when using a preconfigured 5 Minute Photo Server/Loader/System or a LinuxInTheMiddle solution.

### **File/Folder Maintenance**

NOTE: If you are currently already using 5 Minute Photo and want to keep your current Viewing folder and database (Orders, Unsubmitted Orders/Albums, Available Print Prices, etc.) you will need to copy the Viewing Folder and/or database file (5MinutePhoto.vdb4) from the current Viewing folder (shared as EventView) to the new EventView folder on the 5MinutePhoto LinuxInTheMiddle device manually using Windows Explorer.

Access to the Viewing folder (shared as EventView) on the LinuxInTheMiddle device from the Loader/Server (or other computer on the network) is identical to accessing other networked computer/devices via Windows Explorer. When properly configured, setup and powered on, you can access the device/folders/files on the LinuxInTheMiddle device by navigating to My Network Places/Network (depending on operating system) and drilling down to find the device **5MinutePhoto** and then drill down to see the **EventView** folder, drill down to see your Events and then drill down to see the JPG images. Maintenance of folders and images (copying, deleting, etc.) is also done using this method (just remember NOT to delete the 5MinutePhoto.vdb4 database or you will loose your Orders, Unsubmitted Orders and Available Print Price information).

## Configuring 5 Minute Photo Loader/Viewer Software for use with the LinuxInTheMiddle device.

### Configuring the Loader:

On the Main tab of the Loader configuration screen, enter `\\5MinutePhoto\EventView` in the text box for the Alternate File Location for the Viewing Folder/Images as shown below and then click on OK.

### Processing/Alternate File Location Options:

The screenshot shows the '5 Minute Photo Loader Configuration Options' dialog box with the 'Main' tab selected. The 'Processing/Alternate File Location Options' section is expanded, showing a warning message and three checked options for copying images to different folders. The 'Viewing Folder' text box contains the path `\\5MinutePhoto\EventView`, which is circled in red. The 'Preview Landscape Image Width/Size' is set to 852 pixels.

**5 Minute Photo Loader Configuration Options**

Main | Shopping Cart | Web | Advanced

File Location Options  
Location of 5 Minute Photo Folder (default C:\): C:\

Erase Source Default  
 Default to Erase CF Card/Source after Processing

Processing/Alternate File Location Options  
**WARNING: Using Non-Default Settings on the Options below may cause problems if using other features that are dependent on images being in the Original, Printing and/or Viewing Folders. Selecting non-internal or non-local drives as Alternate File Locations may cause performance issues!**

Copy Images to Original Folder - clear text box below to use default 5MinutePhoto\Original  
[Text Box] Browse Clear

Auto Rotate Printing/Viewing Images

Copy Images to Printing Folder - clear text box below to use default 5MinutePhoto\Printing  
[Text Box] Browse Clear

Copy Images to Viewing Folder - clear text box below to use default 5MinutePhoto\Viewing  
\\5MinutePhoto\EventView Browse Clear

Preview Landscape Image Width/Size (in pixels - default 852 - optimal for 1024x768 screen resolution) 852

Restore Defaults  
OK Cancel

## Configuring the Viewer:

On the General tab of the Viewer configuration screen, enter **5MinutePhoto** in the text box for the Name of Server for each Viewing Station as shown below. Select Default Event and then click on Save and Return to Viewer or Save and Exit. (refer to the 5 Minute Photo Loader/Viewer User Manual on how to save the configuration values on the Server to create a default configuration for all Viewing Stations to use).

The screenshot shows the '5 Minute Photo Viewer Configuration' window with the 'General' tab selected. The 'Name of Server' field is highlighted with a red circle and contains the text '5MinutePhoto'. Other visible fields include 'Default Event' set to 'kevin test', 'Main List of Games/Competitions' with 'Show Earliest Games/Competitions First' selected, 'Thumbnails Across' set to 4, and 'Auto Timeout' settings for 5 minutes and 0 seconds. The 'Auto Start Viewer on Computer Startup' checkbox is checked. At the bottom, there are buttons for 'Save These Configuration Values to Server', 'Restore Defaults', 'Launch Windows On-Screen Keyboard', 'Save and Return to Viewer', 'Save and Exit', and 'Cancel/Exit'. The footer text reads 'Software Copyright © 2005-2010 5MinutePhoto.com'.

## That's all there is to it!

### What to do when finished using the device.

1. Exit the Loader software on the Loader/Server computer.
2. Exit the Viewer software on all Viewing Stations.
3. Set the switch on the back of the device to OFF (the bottom position). The LINK/ACT LED will begin to blink as the device properly shuts down. Once the LINK/ACT LED has quit blinking and turned off, the device is ready to be unplugged from the network and AC outlet and moved or stored.